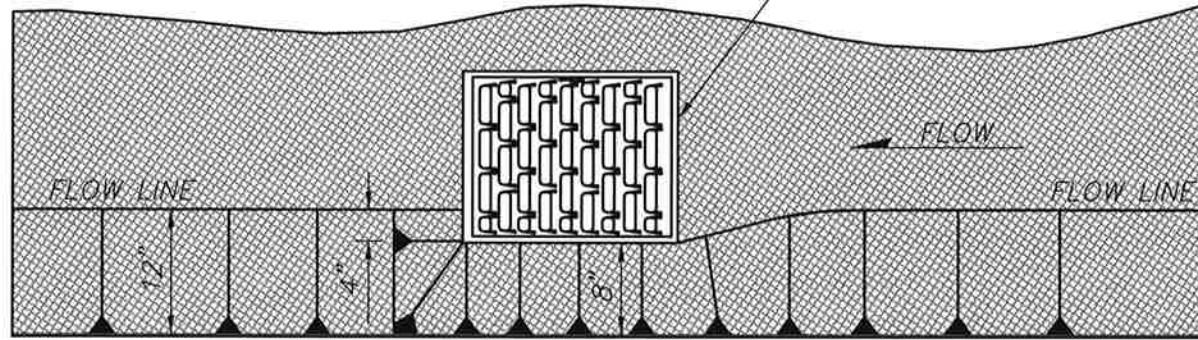
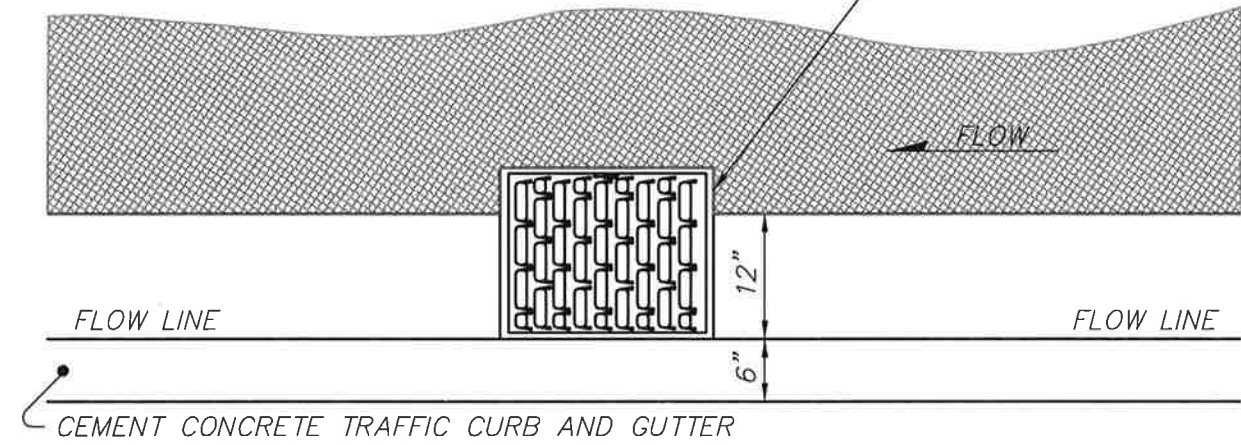


METAL FRAME AND VANED GRATE FOR CATCH BASIN AND INLET, WSDOT STANDARD PLAN B-30.30-00



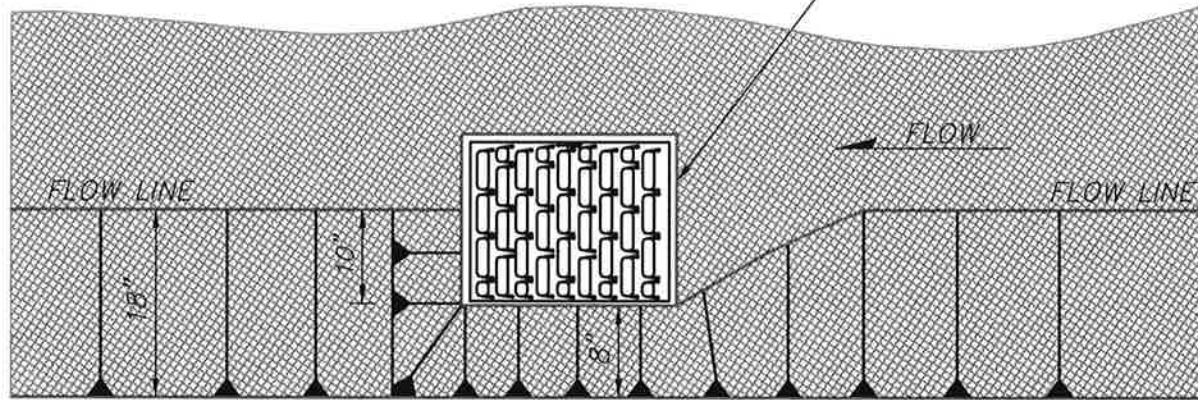
ASPHALT CONCRETE BARRIER CURB

METAL FRAME AND VANED GRATE FOR CATCH BASIN AND INLET, WSDOT STANDARD PLAN B-30.30-00. PLACE FRAME FLUSH WITH FACE OF CURB.

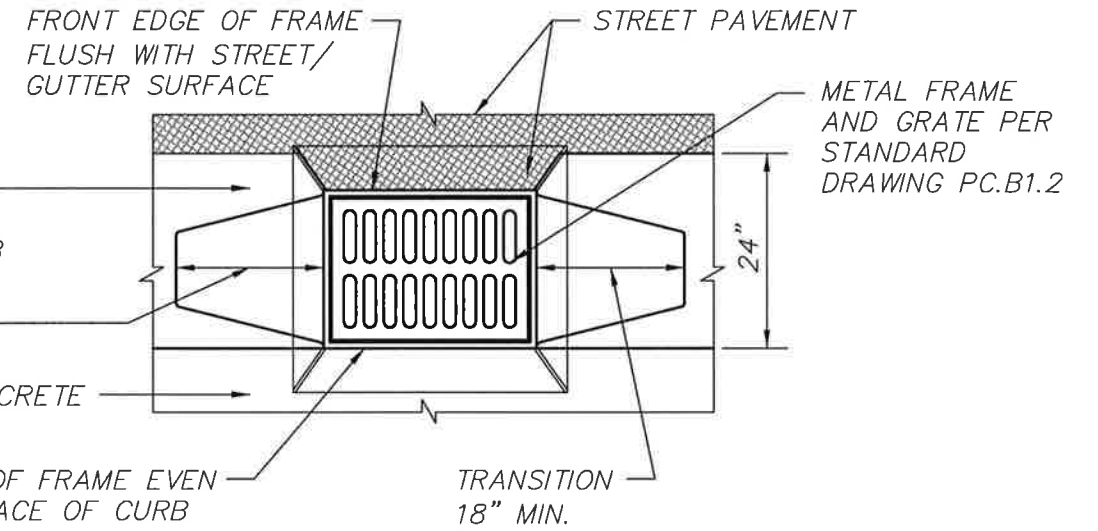


CEMENT CONCRETE TRAFFIC CURB AND GUTTER

METAL FRAME AND VANED GRATE FOR CATCH BASIN AND INLET, WSDOT STANDARD PLAN B-30.30-00



ASPHALT CONCRETE RAISED EDGE



CEMENT CONCRETE ROLLED CURB

(NOT TO SCALE)

NOTES:

- 1) BI-DIRECTIONAL VANED GRATES, WSDOT STANDARD PLAN B-30.40-00, SHALL BE PROVIDED FOR ALL CATCH BASINS LOCATED AT CURB RETURNS OR LOW POINTS OR WHEN GUTTER LINE PROFILE GRADE IS LESS THEN 1%, EXCEPT WHEN CEMENT CONCRETE ROLLED CURB IS USED.



Pierce County

Public Works and Utilities
Office of the County Engineer
Tacoma Mall Office Building
4301 South Pine Street, Suite 446
Tacoma, WA 98409-7207

DATE	REVISION	APPROVED	DRAWN

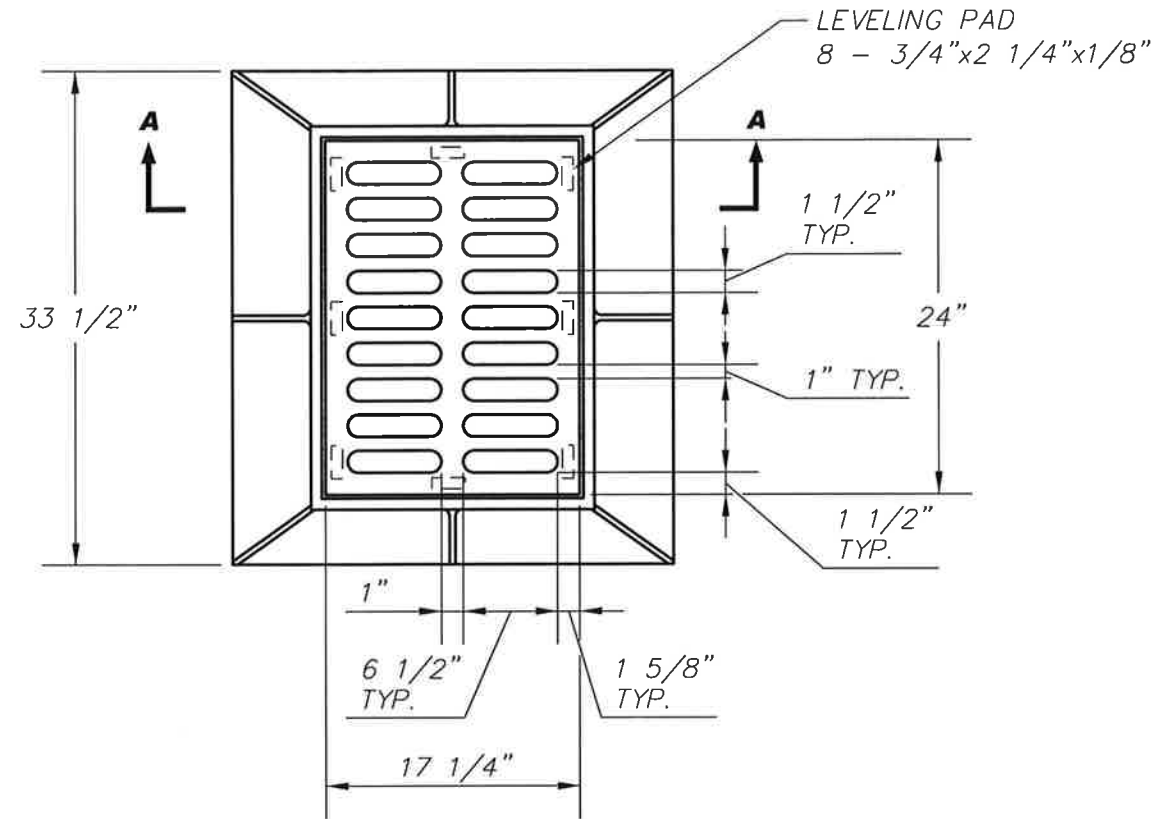
BRIAN D. STACY, P.E.
COUNTY ENGINEER

Office of the County Engineer

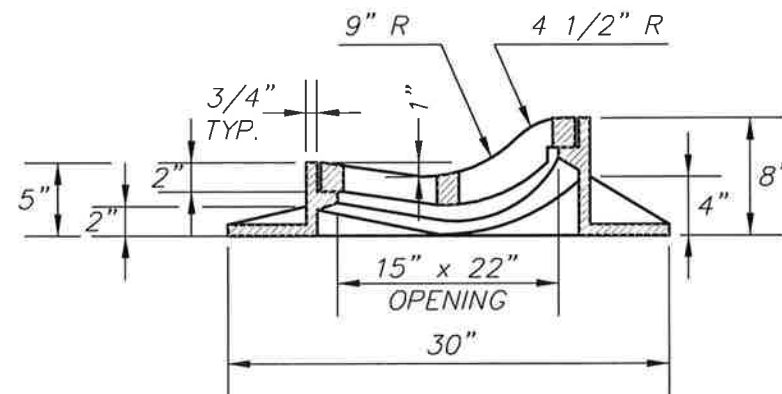
7-1409

CATCH BASIN AND INLET INSTALLATION FOR CURBS

PC.B1.1



PLAN



SECTION A-A

(NOT TO SCALE)

NOTES:

1) MATERIAL IS CAST IRON ASTM A48 CLASS 30.



Pierce County

Public Works and Utilities
Office of the County Engineer
Tacoma Mall Office Building
4301 South Pine Street, Suite 446
Tacoma, WA 98409-7207

DATE	REVISION	APPROVED	DRAWN

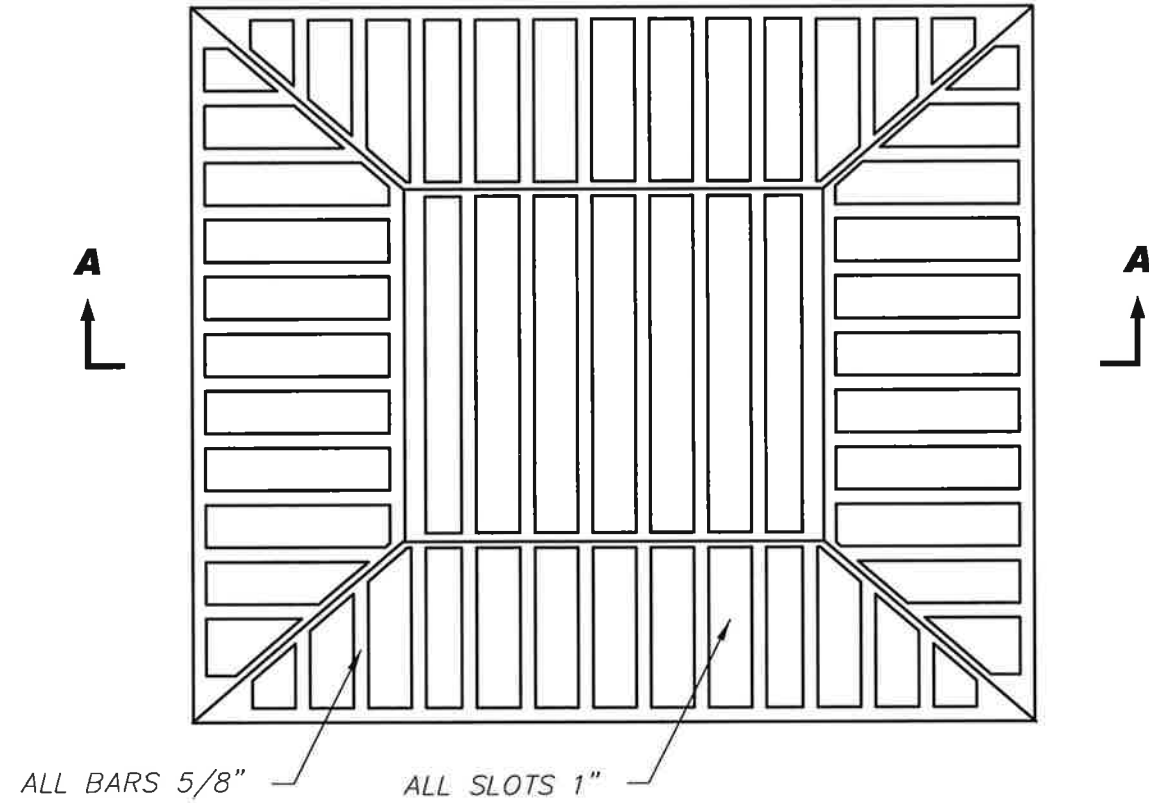


BRIAN D. STACY, P.E.
COUNTY ENGINEER

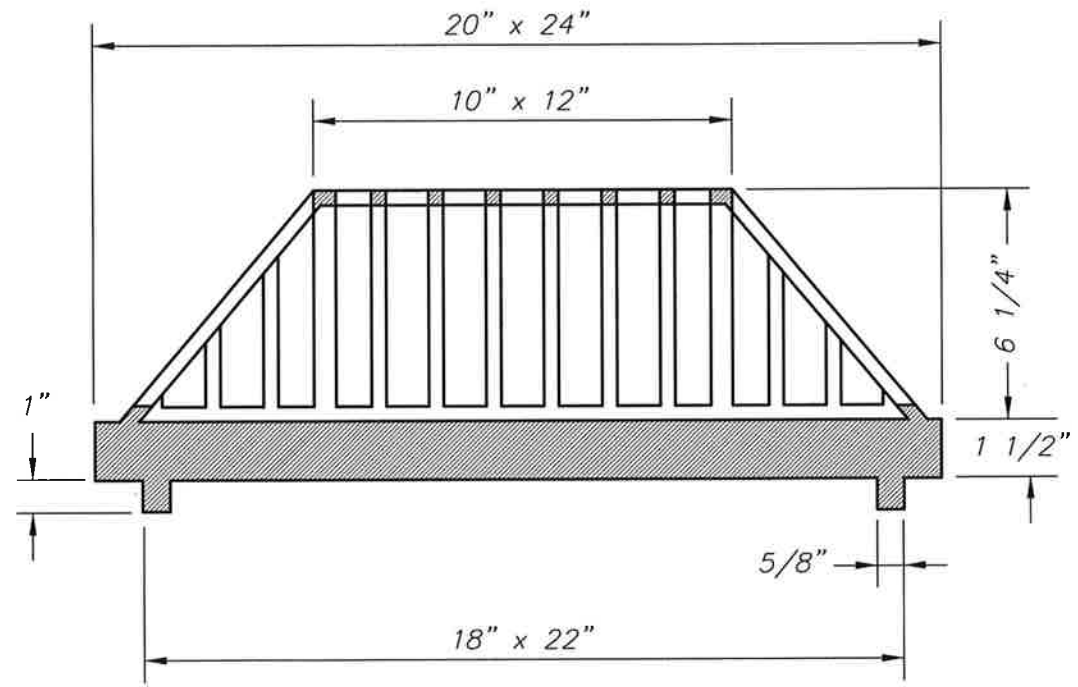
Office of the County Engineer

**ROLLED CURB,
FRAME AND GRATE**

PC.B1.2



PLAN



SECTION A-A

NOTES:

- 1) USE WITH WSDOT STANDARD PLAN B-30.10-00 FRAME.
- 2) MATERIAL TO CONFORM TO WSDOT STANDARD SPECIFICATIONS 9-05.15(2).

(NOT TO SCALE)



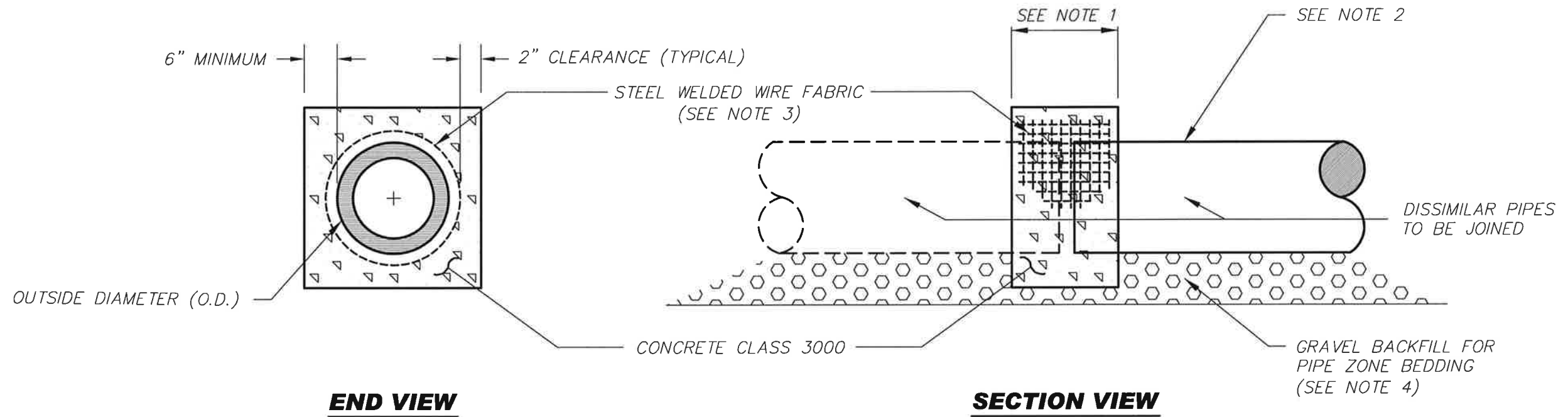
Pierce County
 Public Works and Utilities
 Office of the County Engineer
 Tacoma Mall Office Building
 4301 South Pine Street, Suite 446
 Tacoma, WA 98409-7207

DATE	REVISION	APPROVED	DRAWN

BRIAN D. STACY, P.E.
COUNTY ENGINEER
 7-14-09
 Office of the County Engineer

**BEEHIVE
 GRATE**

PC.B1.3



NOTES:

- 1) CONCRETE COLLAR WIDTH SHALL BE ONE HALF OF THE OUTSIDE PIPE DIAMETER OF THE LARGEST PIPE. THE MINIMUM COLLAR WIDTH SHALL BE 12". THE CONCRETE COLLAR SHALL ONLY BE USED TO EXTEND EXISTING PIPES.
- 2) WHEN A COUPLING BAND CONNECTION REQUIRES ATTACHING A BELL END OF A CONCRETE PIPE, THE BELL END OF THE PIPE SHALL BE REMOVED BEFORE THE CONNECTION IS INSTALLED.
- 3) STEEL WELDED WIRE FABRIC SHALL BE IN ACCORDANCE WITH WSDOT STANDARD SPECIFICATIONS SECTION 9-07.7. INSTALL TWO WRAPS FOR SIZE 6 X 6 W1.4 X W1.4 (10 GAGE) STEEL WELDED WIRE FABRIC OR ONE WRAP FOR ANY OF THE FOLLOWING SIZES:

- 6 X 6 W2.1 X W2.1 (8 GAGE)
- 6 X 6 W2.9 X W2.9 (6 GAGE)
- 4 X 4 W2.9 X W2.9 (6 GAGE)
- 4 X 4 W4.0 X W4.0 (4 GAGE)

- 4) GRAVEL BACKFILL FOR PIPE ZONE BEDDING SHALL BE IN ACCORDANCE WITH WSDOT STANDARD SPECIFICATIONS SECTION 9-03.12(3).

(NOT TO SCALE)



Pierce County

Public Works and Utilities
Office of the County Engineer
Tacoma Mall Office Building
4301 South Pine Street, Suite 446
Tacoma, WA 98409-7207

DATE	REVISION	APPROVED	DRAWN

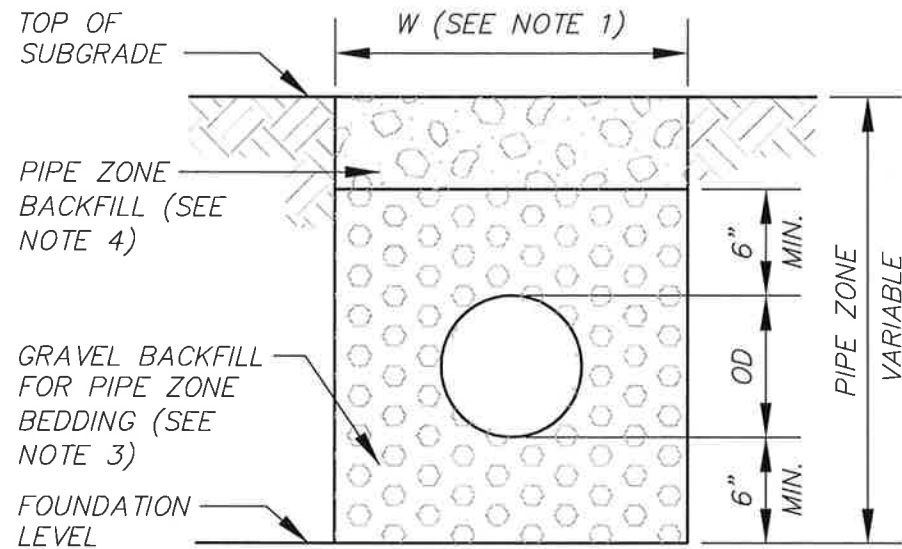
BRIAN D. STACY, P.E.
COUNTY ENGINEER

7-14-09

Office of the County Engineer

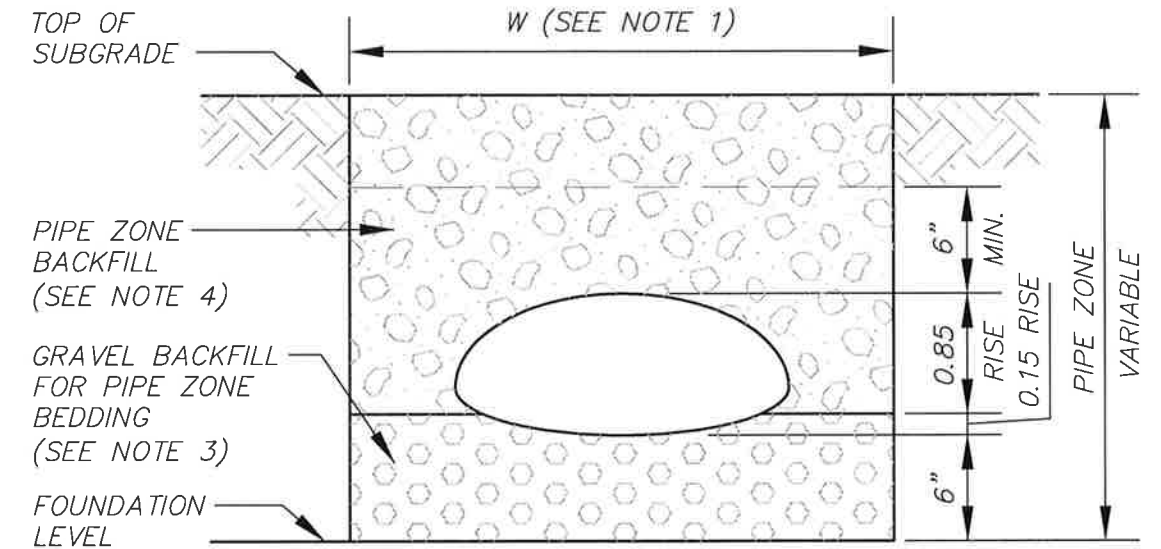
CONCRETE PIPE COLLAR

PC.B5

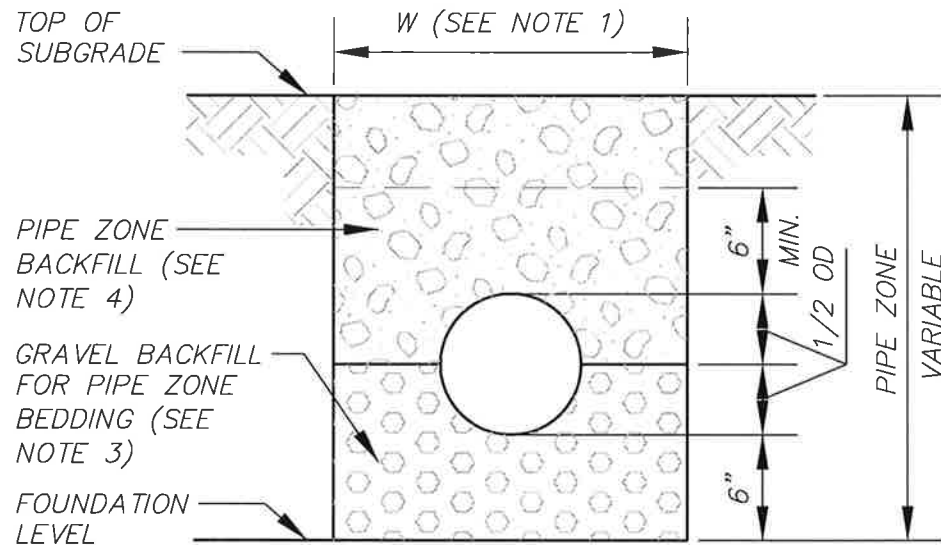


THERMOPLASTIC PIPE

CLEARANCE BETWEEN PIPES FOR MULTIPLE INSTALLATIONS		
PIPE	SIZE	MINIMUM DISTANCE BETWEEN BARRELS
CIRCULAR PIPE (DIAMETER)	12" TO 24"	12"
	30" TO 96"	DIAMETER / 2
	102" TO 180"	48"
PIPE ARCH METAL ONLY (SPAN)	18" TO 36"	12"
	43" TO 142"	SPAN / 3
	148" TO 200"	48"



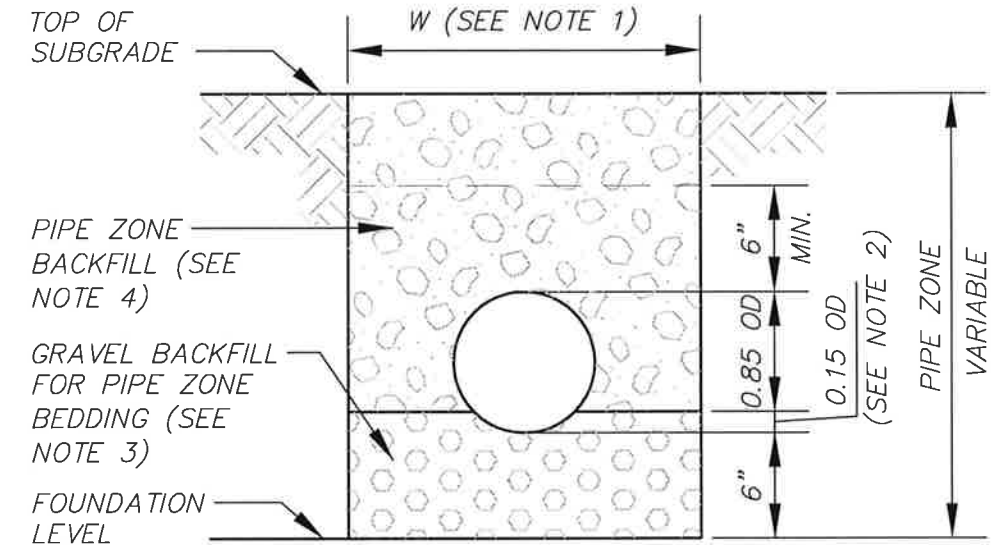
PIPE ARCHES



METAL PIPE

NOTES:

- 1) TRENCH WIDTH SHALL BE IN ACCORDANCE WITH WSDOT STANDARD SPECIFICATIONS SECTION 2-09.4.
- 2) FOR SANITARY SEWER INSTALLATION, CONCRETE PIPE SHALL BE BEDDED TO SPRING LINE.
- 3) GRAVEL BACKFILL FOR PIPE ZONE BEDDING SHALL BE IN ACCORDANCE WITH WSDOT STANDARD SPECIFICATIONS SECTION 9-03.12(3).
- 4) PIPE ZONE BACKFILL SHALL BE IN ACCORDANCE WITH WSDOT STANDARD SPECIFICATIONS SECTION 7.08.3(3).



CONCRETE AND DUCTILE IRON PIPE

(NOT TO SCALE)



Pierce County

Public Works and Utilities
Office of the County Engineer
Tacoma Mall Office Building
4301 South Pine Street, Suite 446
Tacoma, WA 98409-7207

DATE	REVISION	APPROVED	DRAWN



BRIAN D. STACY, P.E.
COUNTY ENGINEER

Office of the County Engineer

PIPE ZONE BEDDING AND BACKFILL

PC.B9