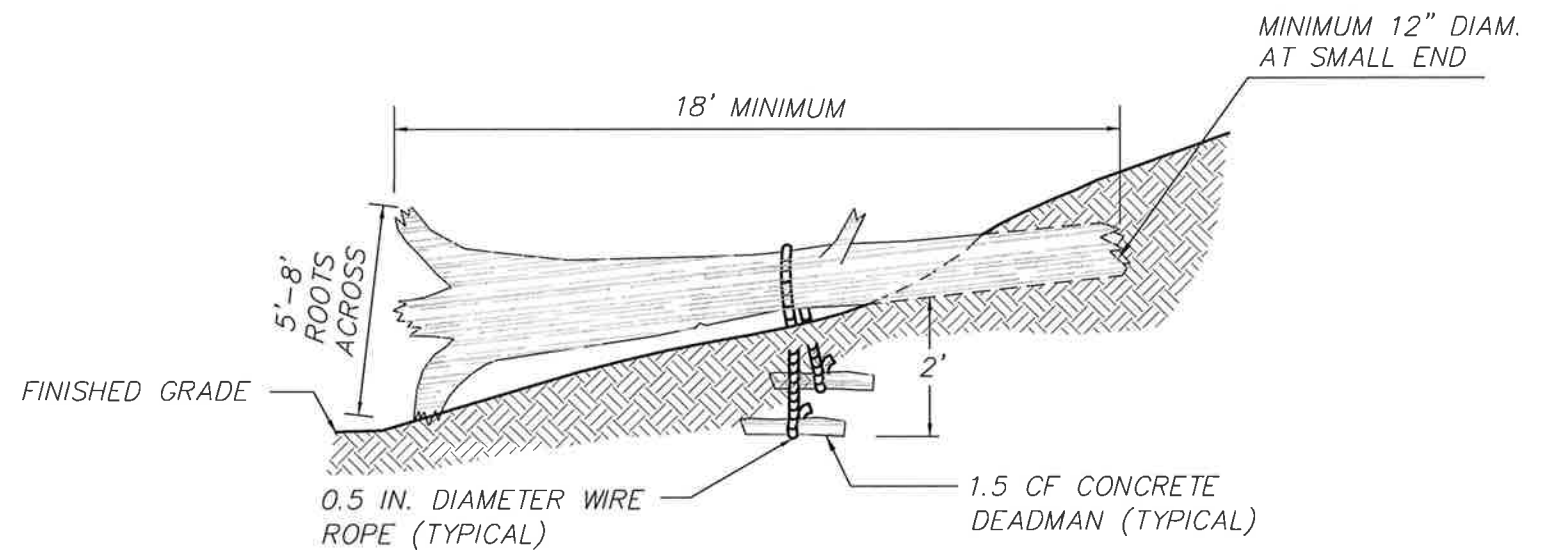


SNAG TREE



HORIZONTAL LOG

NOTES:

- 1) SEE SPECIAL PROVISIONS.

(NOT TO SCALE)



Pierce County

Public Works and Utilities
 Office of the County Engineer
 Tacoma Mall Office Building
 4301 South Pine Street, Suite 446
 Tacoma, WA 98409-7207

DATE	REVISION	APPROVED	DRAWN

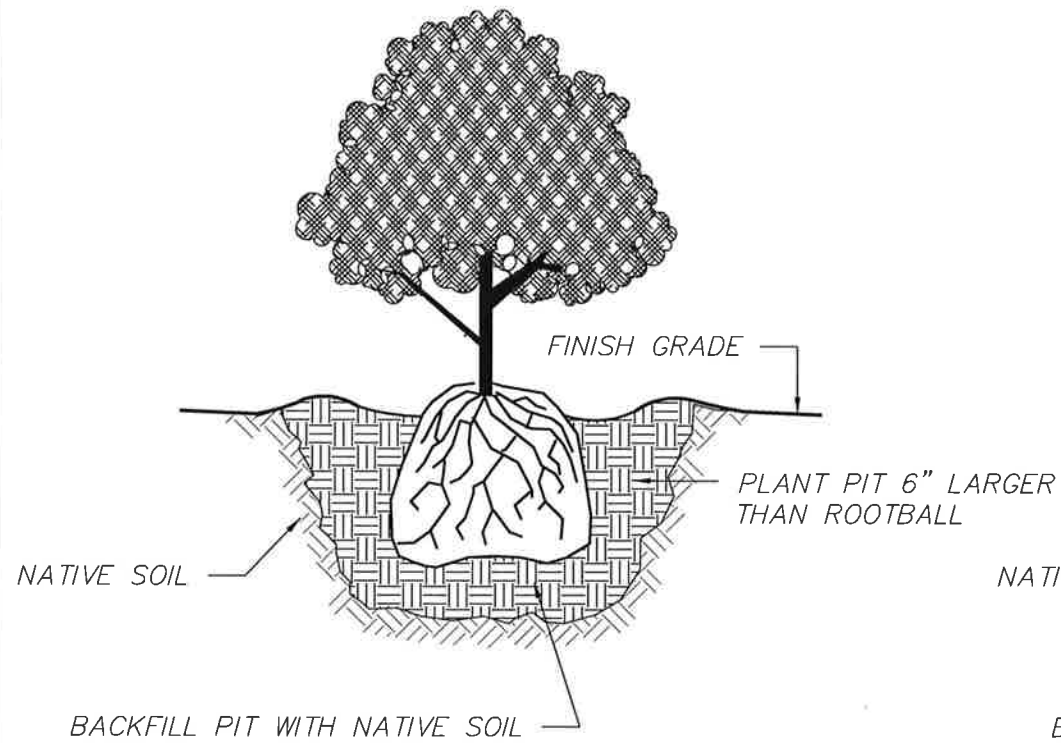
BRIAN D. STACY, P.E.
COUNTY ENGINEER

7-14-09

Office of the County Engineer

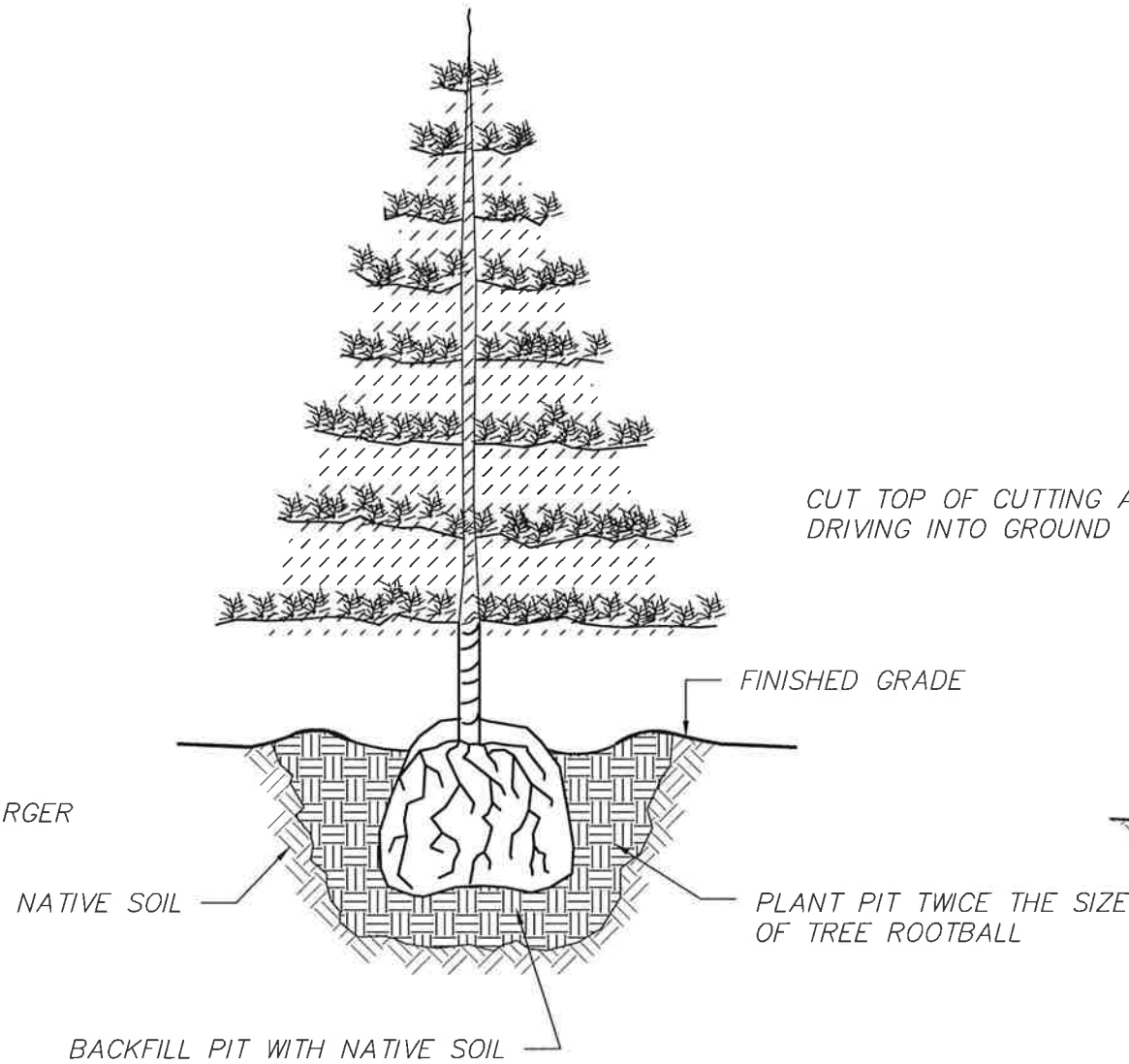
LARGE ORGANIC ITEMS

PC.M1.1



SHRUB AND DECIDUOUS TREE

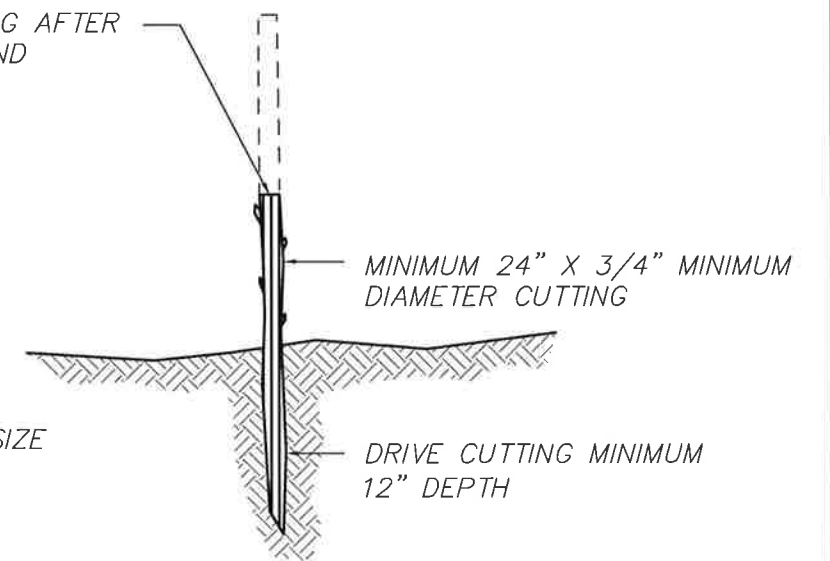
BARE ROOT OR CONTAINERIZED



CONIFEROUS TREE

BARE ROOT PLANT TREE 1" HIGHER THAN ROOT MASS OR CONTAINERIZED
 PLANT TREE 1" HIGHER THAN DEPTH GROWN AT NURSERY

CUT TOP OF CUTTING AFTER DRIVING INTO GROUND



CUTTING

(NOT TO SCALE)



Pierce County

Public Works and Utilities
 Office of the County Engineer
 Tacoma Mall Office Building
 4301 South Pine Street, Suite 446
 Tacoma, WA 98409-7207

DATE	REVISION	APPROVED	DRAWN

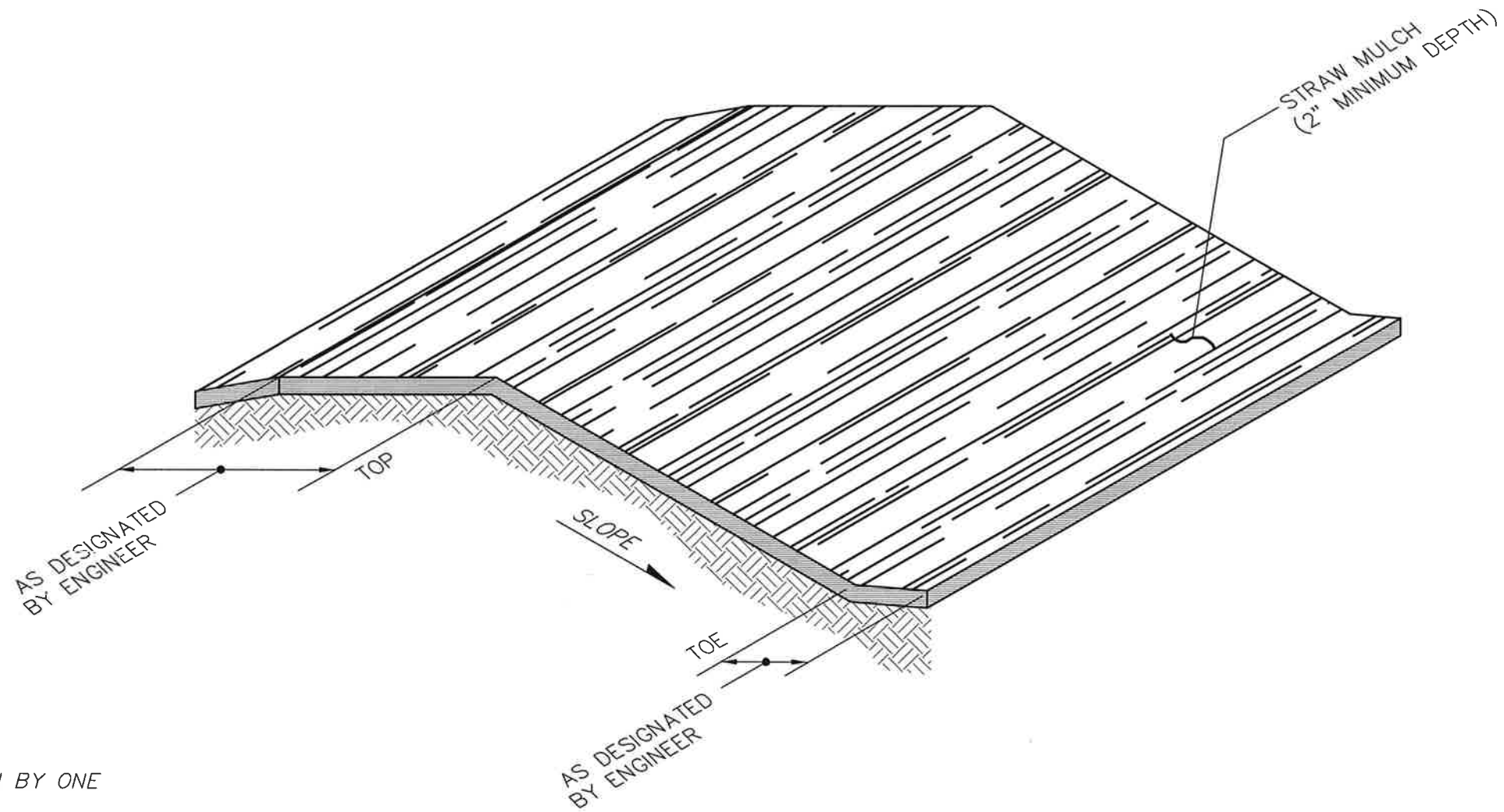


BRIAN D. STACY, P.E.
COUNTY ENGINEER

Office of the County Engineer

TREE AND SHRUB PLANTING

PC.M1.2



NOTES:

- 1) STRAW MUST BE ANCHORED DOWN BY ONE OF THE FOLLOWING METHODS:
 - A) CRIMPING, DISKING, ROLLING, OR PUNCHING INTO THE SOIL.
 - B) COVERING WITH NETTING.
 - C) SPRAYING WITH A CHEMICAL OR FIBER BINDER (TACKIFIER).
 - D) MOISTENING

(NOT TO SCALE)



Pierce County

Public Works and Utilities
 Office of the County Engineer
 Tacoma Mall Office Building
 4301 South Pine Street, Suite 446
 Tacoma, WA 98409-7207

DATE	REVISION	APPROVED	DRAWN



BRIAN D. STACY, P.E.
COUNTY ENGINEER

Office of the County Engineer

STRAW MULCH

PC.M2.3