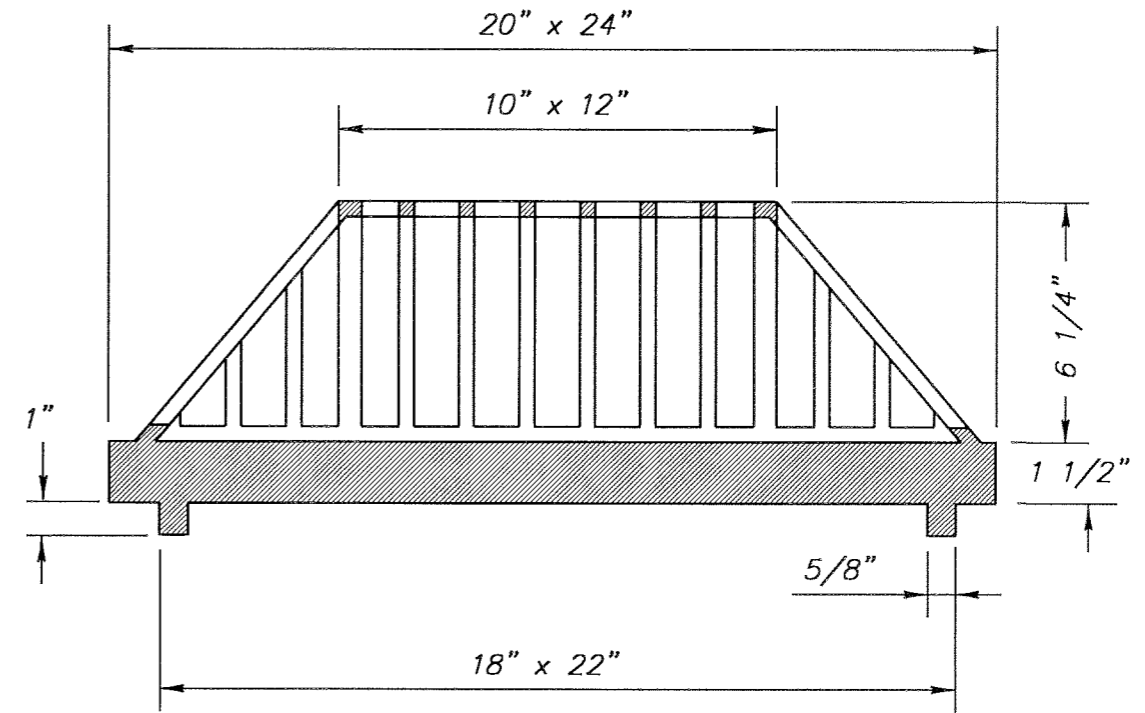


PLAN



SECTION A-A

NOTES:

- 1) USE WITH STANDARD PLAN B-2a FRAME.
- 2) MATERIAL TO CONFORM TO WSDOT STANDARD SPECIFICATIONS 9-05.15(2).

(NOT TO SCALE)



Pierce County

Department of Public Works and Utilities
 Transportation Services
 2401 South 35th Street Room 150
 Tacoma, Washington 98409-7485

DATE	REVISIONS	APPROVED	DRAWN



THOMAS G. BALLARD, P.E.
COUNTY ENGINEER

Thomas G. Ballard

MAY 1, 1997

Office of County Engineer

**BEEHIVE
 GRATE**

PC.B1.3