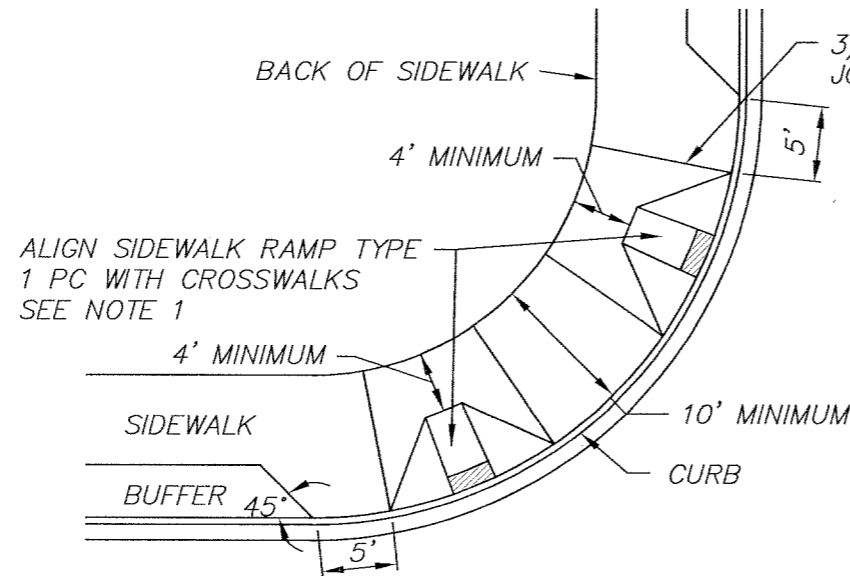
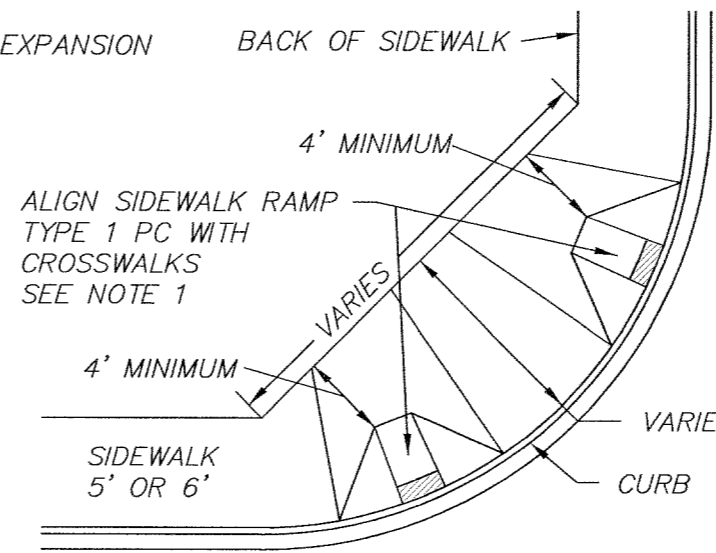


NOTES:

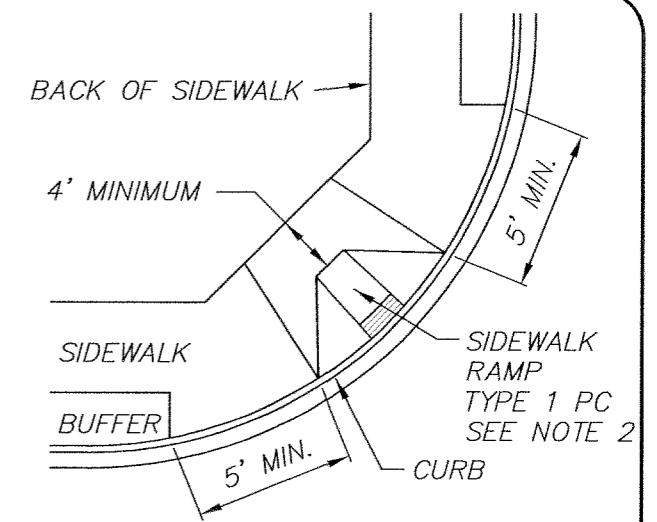
- 1) SIDEWALK RAMPS ARE TYPICALLY CENTERED AT THE 1/4 RADIUS POINTS.
- 2) SIDEWALK RAMP IS TYPICALLY LOCATED AT THE MIDPOINT.
- 3) CURB TO BE FLUSH WITH ADJACENT ROADWAY SURFACE. THE BID ITEM DOES NOT INCLUDE THE CURB AND GUTTER.



ARTERIAL INTERSECTION WITH CURB, BUFFER AND SIDEWALK



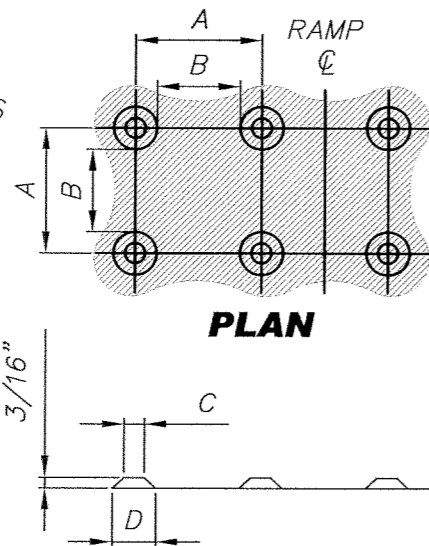
ARTERIAL INTERSECTION WITH CURB AND SIDEWALK



LOCAL ROAD INTERSECTION WITH CURB, BUFFER AND SIDEWALK

DETECTABLE WARNING PATTERN AREA SHALL BE YELLOW AND IN COMPLIANCE WITH WSDOT STANDARD SPECIFICATIONS SECTION 8-14.3(3).

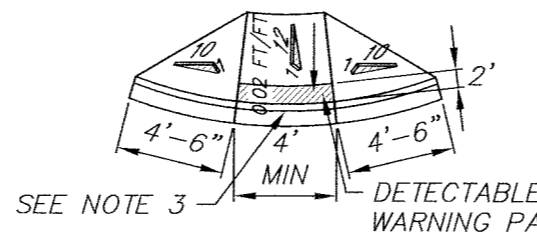
DETECTABLE WARNING PATTERNS MAY BE CREATED BY ANY METHOD THAT WILL ACHIEVE THE TRUNCATED DOME DIMENSION AND SPACING SHOWN.



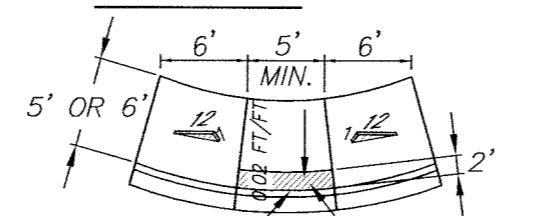
ELEVATION

DETECTABLE WARNING PATTERN DETAIL

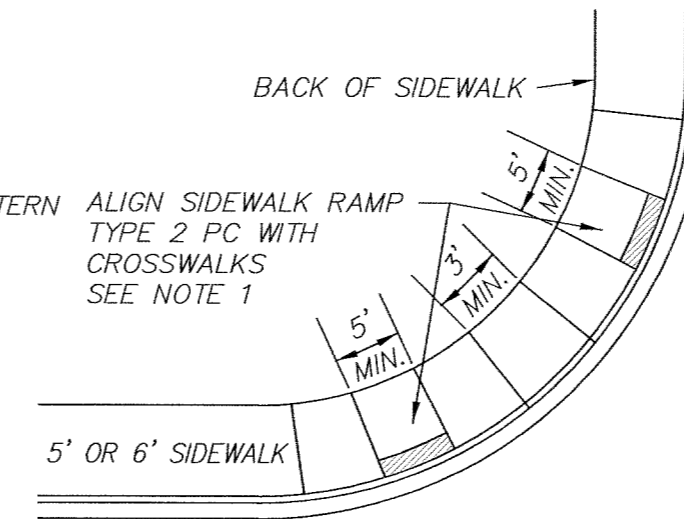
	MIN.	MAX.
A	1 5/8"	2 3/8"
B	5/8"	1 1/2"
C	7/16"	3/4"
D	7/8"	1 7/16"



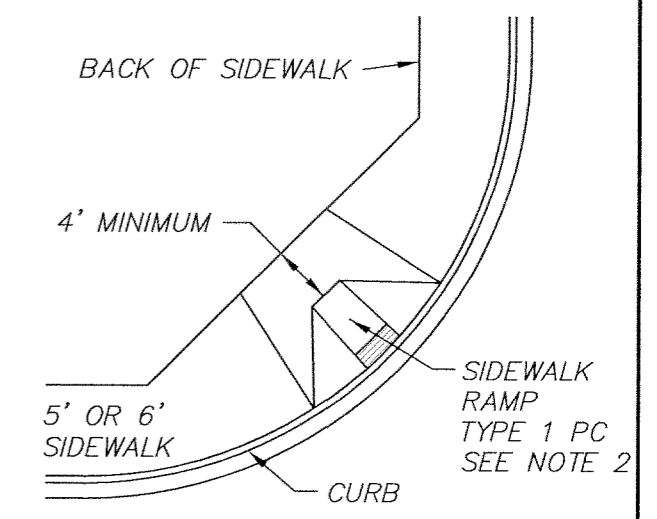
CEMENT CONCRETE SIDEWALK RAMP TYPE 1 PC



CEMENT CONCRETE SIDEWALK RAMP TYPE 2 PC



ARTERIAL INTERSECTION WITH CURB AND SIDEWALK



LOCAL ROAD INTERSECTION WITH CURB AND SIDEWALK

(NOT TO SCALE)



Pierce County

Department of Public Works and Utilities
Transportation Services
2702 South 42nd Street, Suite 201
Tacoma, Washington 98409-7322

DATE	REVISION	APPROVED	DRAWN



BRIAN D. STACY, P.E.
COUNTY ENGINEER

5-9-05

Office of County Engineer

CEMENT CONCRETE SIDEWALK RAMPS

PC.F8.4