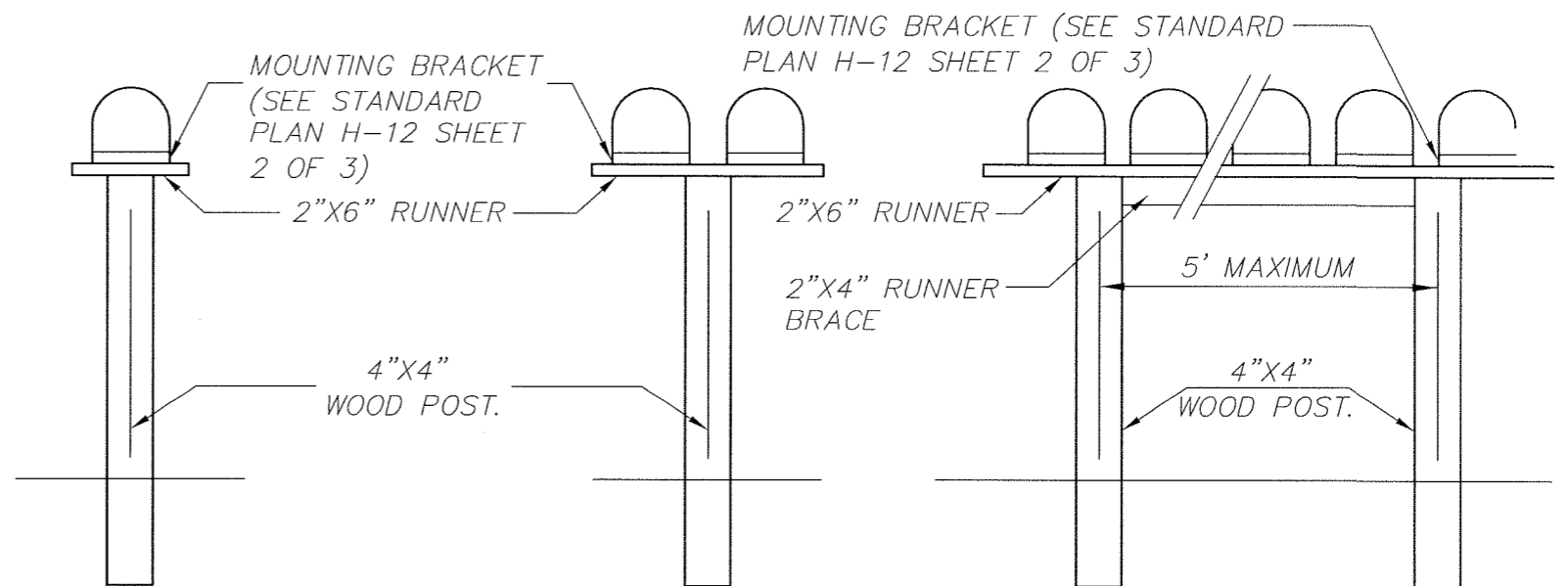


**PLAN VIEW**

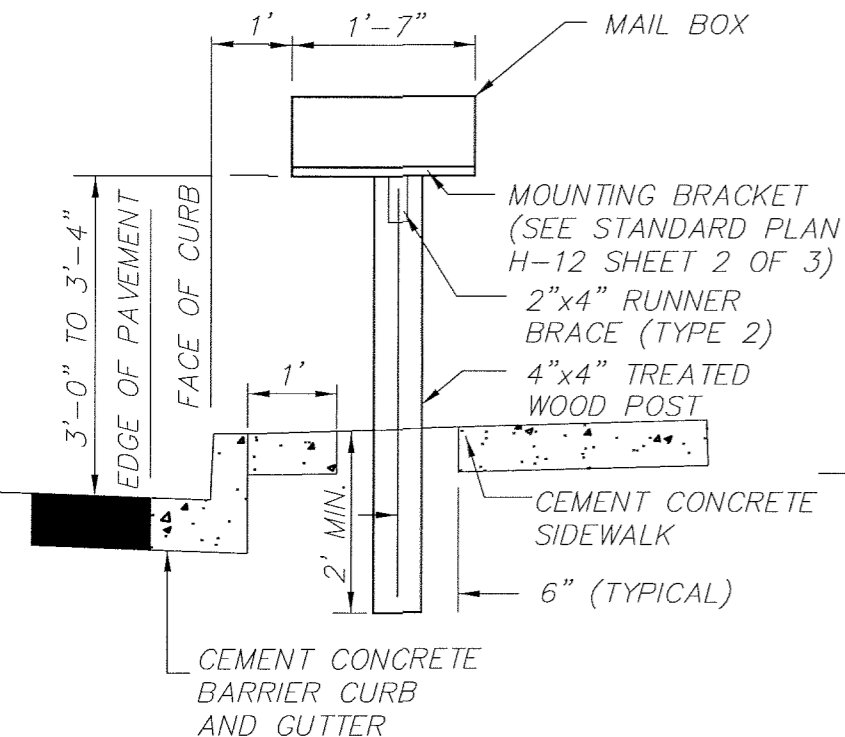


TYPE 1-S

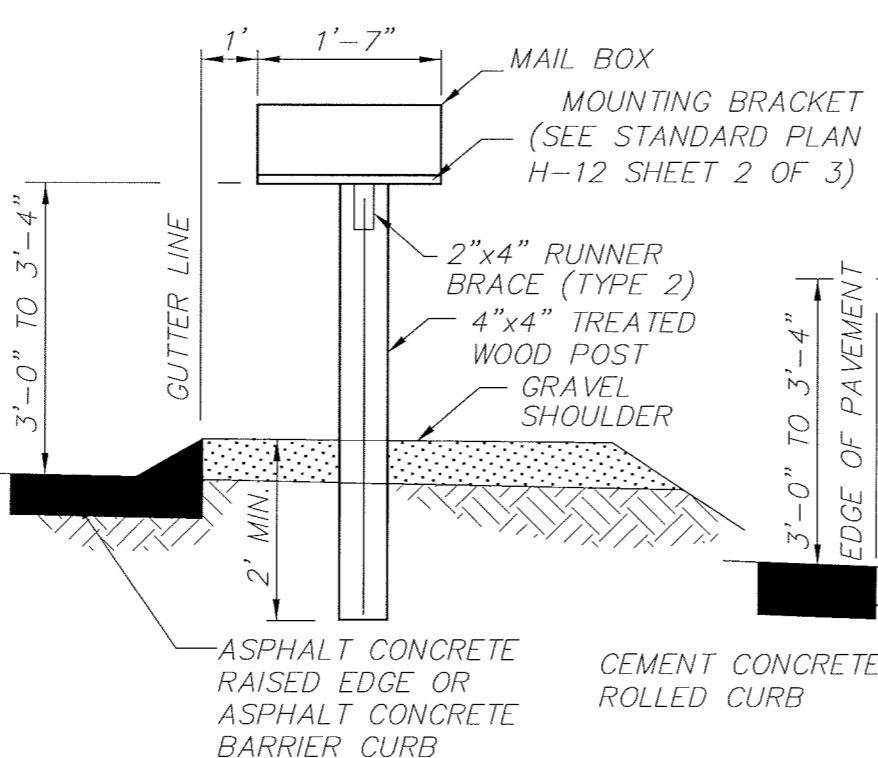
TYPE 1-D

TYPE 2

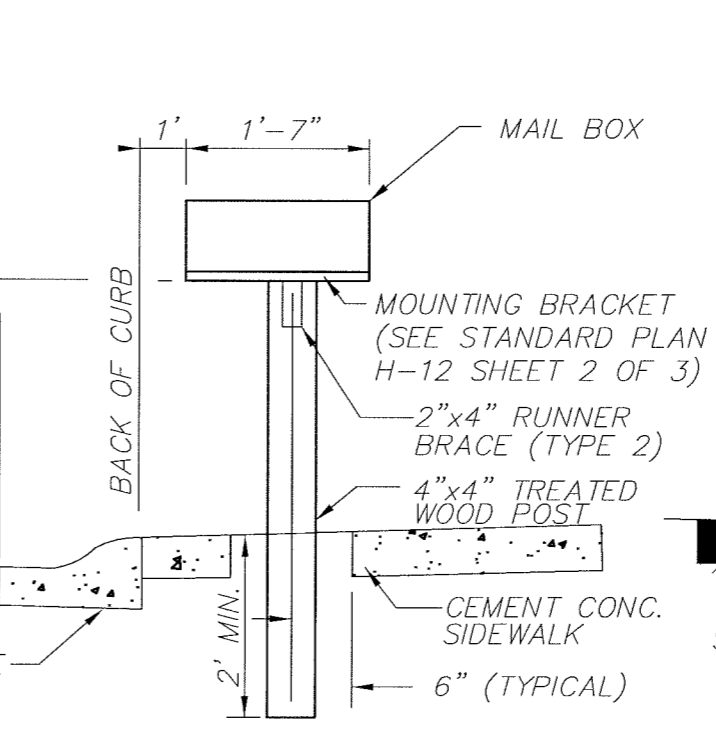
**FRONT VIEW**



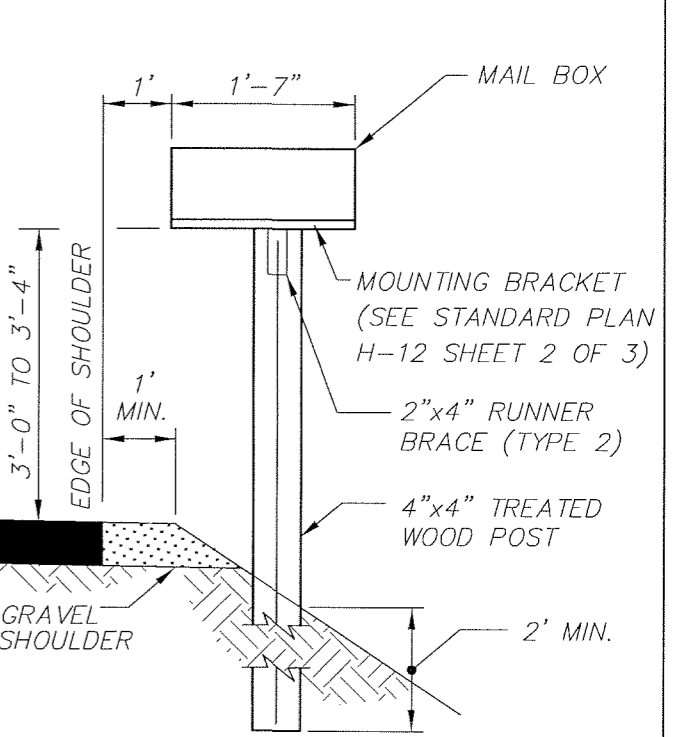
**SECTION A - A**



**ALT. SECTION**



**ALT. SECTION**



**ALT. SECTION**

(NOT TO SCALE)



**Pierce County**

Department of Public Works and Utilities  
 Transportation Services  
 2401 South 35th Street Room 150  
 Tacoma, Washington 98409-7485

DATE	REVISIONS	APPROVED	DRAWN
4-11-01	REVISED PLAN & FRONT VIEWS	<i>[Signature]</i>	CB
	CHANGED SECTION TITLES		



**THOMAS G. BALLARD, P.E.**  
**COUNTY ENGINEER**

MAY 1, 1997

EXPIRES 01/14/03

Office of County Engineer

**MAIL BOX  
 SUPPORTS**

**PC.H3**