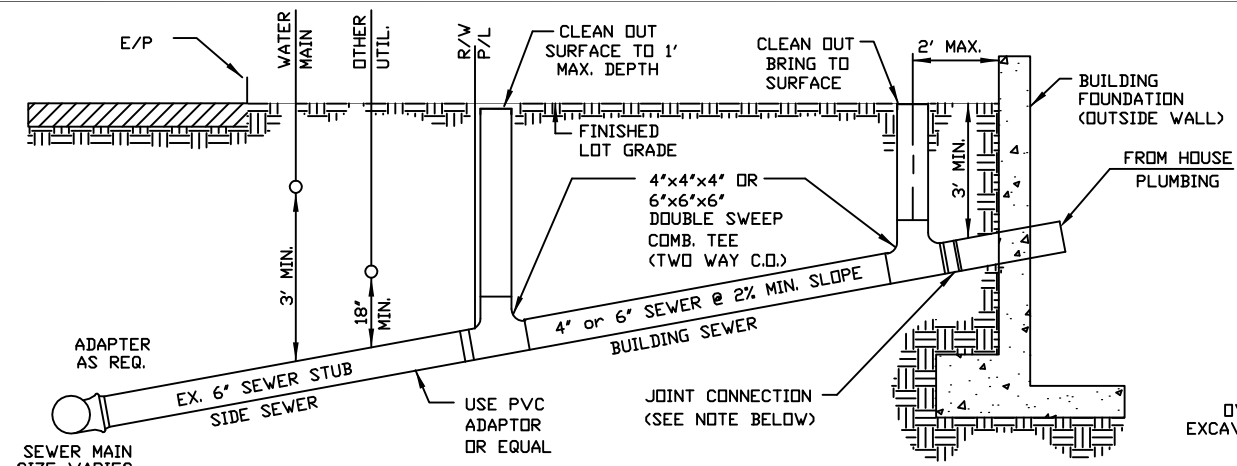
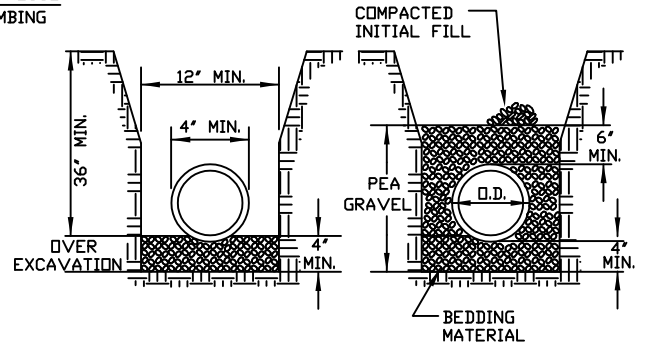


THESE DETAILS PLUS THE PIERCE COUNTY ADMINISTRATION CODE, CURRENT ISSUE, CONSTITUTE TOTAL DESIGN AND CONSTRUCTION REQUIREMENTS.



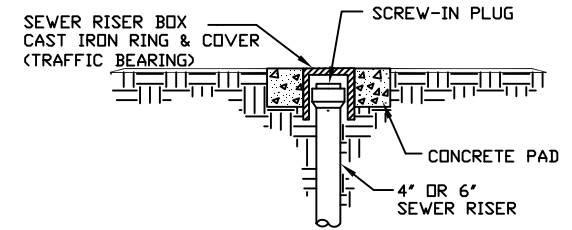
TYPICAL SIDE/BUILDING SEWER PROFILE



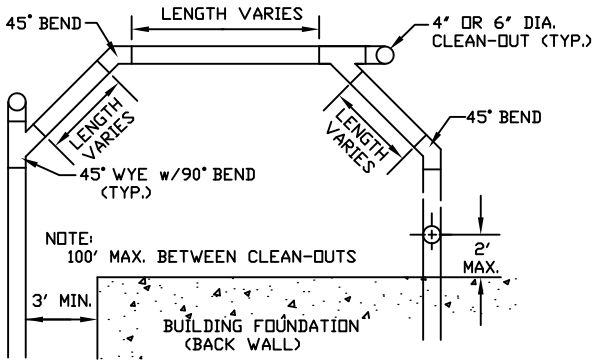
INSTALLATION BEDDING CROSS-SECTION

BEDDING MATERIAL SHALL BE CLEAN, SOUND, FREE DRAINING, PEA GRAVEL WITH 100% PASSING THE 1/2\"/>

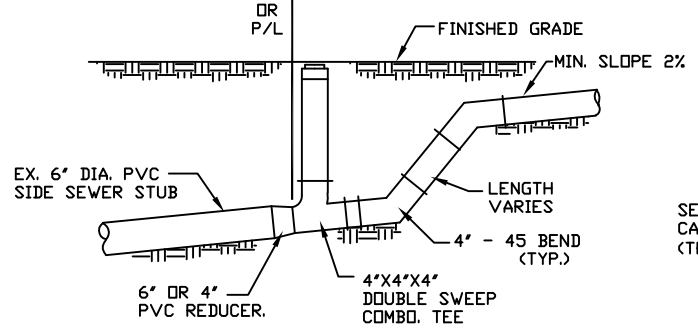
INITIAL TRENCH BACKFILL



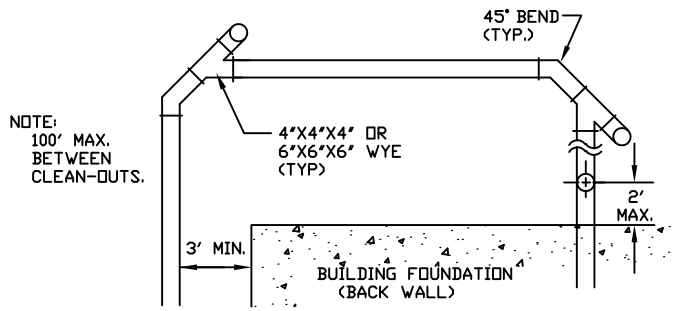
CLEAN-OUT COVER DETAIL IN PAVEMENT



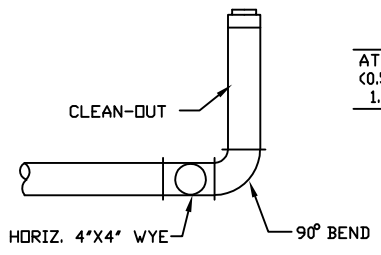
ALTERNATE BUILDING SEWER PLAN



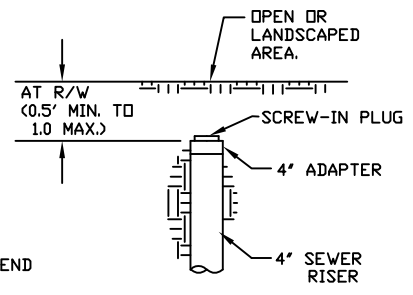
ALTERNATE BUILDING SEWER PROFILE



TYPICAL BUILDING SEWER PLAN



CLEAN-OUT CONNECTION PROFILE



CLEAN-OUT COVER DETAIL IN OPEN AREA

- NOTE:
- 1.) ABS TO PVC USE PVC ADAPTOR, OR USE FERNCO.
 - 2.) PVC TO C.I.P. OR CONC. USE FERNCO w/STAINLESS STEEL CLAMPS OR EQUAL.